

Water Cooled Scroll Chillers Hydrocube



EWQ~KB

Water to water heat pump
Nominal capacity range: 14 - 192 kW
Best performances at full load and part loads
Designed for wide application range and compact footprint

Performance according to EN14511-1 (2013)



Features and benefits

Daikin water-cooled chiller with hermetic scroll compressor and R-410A refrigerant The Hydrocube range is designed to optimize the energy efficiency, to bring down the operating costs and to reduce its environmental impact. It features high efficiency scroll compressors and plate to plate evaporator and condenser heat exchangers with reduced pressure drops and low refrigerant charge.

Flexibility The Hydrocube water cooled series meets all the possible request in terms of plant needs for comfort and process applications. The units are available for chilled and hot water production.

Wide capacity range The water cooled series covers a wide range of cooling capacities from 14kW up to 192 kW.

Compact design Sizes above 64kW are constituted by 2 or 3 modules in stacked configuration allowing to improve capacity - footprint ratio.

Wide operating range The extended operating range allows the unit to work in a wide range of cooling and heating operating temperatures (up to 55°C condenser leaving water temperature). Suitable to brine operation down to -10°C evaporator leaving water temperature (brine option required).

Additional information related to F-GAS Regulation (EU) No 517/2014 of the European Parliament and of the Council of 16th April 2014 on fluorinated greenhouse gases and repealing Regulation (EC) No 842/2006

	Unit model	Refrigerant type	Refrigerant GWP	N. of circuits	Module 1: Refrigerant charge per circuit		Module 2: Refrigerant charge per circuit		Module 3: Refrigerant charge per circuit	
					kg	TCO2	kg	TCO2	kg	TCO2
			TCO2/kg		kg	TCO2	kg	TCO2	kg	TCO2
Single module	EWWQ014KBW1N	R410	2087,5	1	1,2	2505	--	--	--	--
	EWWQ025KBW1N	R410	2087,5	1	2	4175	--	--	--	--
	EWWQ033KBW1N	R410	2087,5	1	3,1	6471	--	--	--	--
	EWWQ049KBW1N	R410	2087,5	2	4,6	9603	--	--	--	--
	EWWQ064KBW1N	R410	2087,5	2	5,6	11690	--	--	--	--
Double module	EWWQ098KBW1N	R410	2087,5	4	4,6	9603	4,6	9603	--	--
	EWWQ113KBW1N	R410	2087,5	4	5,6	11690	4,6	9603	--	--
	EWWQ128KBW1N	R410	2087,5	4	5,6	11690	5,6	11690	--	--
Triple module	EWWQ147KBW1N	R410	2087,5	6	4,6	9603	4,6	9603	4,6	9603
	EWWQ162KBW1N	R410	2087,5	6	5,6	11690	4,6	9603	4,6	9603
	EWWQ177KBW1N	R410	2087,5	6	5,6	11690	5,6	11690	4,6	9603
	EWWQ192KBW1N	R410	2087,5	6	5,6	11690	5,6	11690	5,6	11690

Note: Equipment contains fluorinated greenhouse gases. Actual refrigerant charge depends on the final unit construction, details can be found on the unit nameplate.

General Characteristics

General construction Compact, modular design water-cooled chiller for indoor installation IP20 – manufactured according to the ISO9001 quality standard. The EWWQ-KBW1N range has been designed for both air conditioning and process cooling applications.

Casing / colour The unit casing is made of powder coated galvanised steel plate. Fully factory assembled on a base frame. External case colour ivory is white (\pm RAL7044) / Munsell code 5Y7.5/1

Number of cooling circuits Sizes 014-033 are single circuit, sizes are 049-064 twin circuit, sizes are 098-128 four circuits (2 modules, two circuit each), sizes are 147-192 six circuits (3 modules, two circuits each). Each refrigerant circuit is independent thereby ensuring a high level of system reliability.

Compressor The units are equipped with one R-410A optimised fully hermetically sealed Daikin scroll type compressor per refrigerant circuit. As a design requirement, this compressor characteristically offers extremely smooth performance, efficiency and operational reliability. Each compressor is mounted in the unit with vibration isolation and fitted with a compressor motor overcurrent protection.

Condenser R-410A optimised counter flow plate heat exchanger made of stainless steel plates brazed gastight with copper, for water and glycol mixtures. The water pressure may not exceed the maximum permissible operating pressure of 10bar. Water filter is supplied as a standard.

Evaporator R-410A optimised counter flow plate heat exchanger made of stainless steel plates brazed gastight with copper, for water and glycol mixtures. A special refrigerant distribution system has been incorporated into the plate duct to optimize the heat transmission surface. As well as an additional increase in efficiency, this is also responsible for stable control behaviour in the heat exchanger. The plate heat exchanger is heat insulated to ensure it is diffusion-proof to prevent any heat loss. Flow switch and water filter are supplied as standard. The water pressure may not exceed the maximum permissible operating pressure of 10bar.

Piping Consists of copper pipes with all the necessary cooling fittings.

Safety and control devices Each refrigerant circuit is fitted with the following safety devices:

High and low-pressure switch, hot gas temperature monitoring, overload relay.

Each refrigerant circuit is fitted with the following control devices:

Electronic temperature monitoring, thermal expansion valve, phase-sequence relay, frost protection.

Switching and control device In addition to the fully automated -Chiller digital controller, the control cabinet is in accordance with the valid EN directives (CE) and contains all the required switching and control components such as: Main switch, auxiliary and control cut-outs, transformers, control fuses, relay and auxiliary relay, sensors.

The electronics have an automatic restart after power failure and have the following digital inputs and outputs hard-wired to terminals:

Digital inputs:

- Pump contact
- Remote on/off
- Cooling / heating

Digital outputs:

- General alarm message
- Unit operation message
- Individual compressor operation message
- Evaporator water pump drive
- Reversing valve

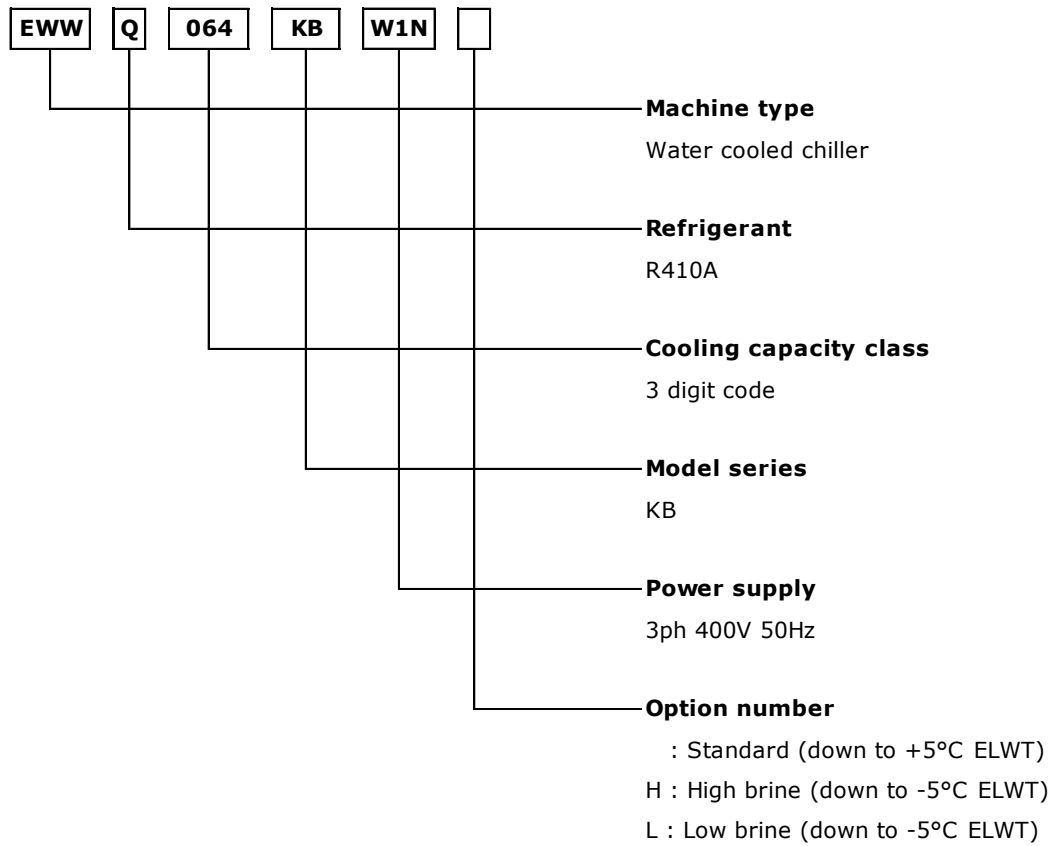
Chiller digital controller The EWWQ-KBW1N units are fitted with a digital controller which allows the user to configure, operate and service the unit in a user-friendly manner. The -Chiller digital controller consists of a numerical display, 4 control keys and 4 LEDs.

The following functions are supported by the electronics, among the others:

- Allocation of the setpoint and the desired switching hysteresis
- Cold water return controller (cooling mode)
- Hot water return controller (heating mode)
- Allocation of pump lead times / overrun times
- Allocation of service intervals
- Displaying the current operating parameters such as flow and return temperatures
- Recording operating hours (compressor / pump)
- Fault code query
- Password protection

As an option his chiller can be fitted with an interface for integrating it into a MODbus Building Management System (BMS).

Nomenclature



Options on request

Factory mounted option

ZH - Glycol application chilled water temperature down to -5°C

ZL - Glycol application chilled water temperature down to -10°C

Factory mounted options modify the model ordering product name. In case one of these two options is required, the product name has an additional digit. For example, ordering string for EWWQ064KBW1N suitable to operate down to -5°C ELWT (opt ZH), is EWWQ064KBW1NH.

Available kits (shipped loose)

EKAC10C - Address card for connection to BMS or Remote user interface

EKRUMCA - Remote installed user interface

EKLS2 - Low noise operation on EWW/LQ*(25~65) KBW1N (1pc per compressor should be ordered)

Standard input/output contacts*

* - additional details in the wiring diagram available on Daikin Business Portal

Switch for remote start/stop

Switch for the remote cooling/heating selection or dual setpoint

Reverse valve of water circuit

Pump contactor

Indication lamp – General operation, compressors operation, alarm

EWQ~KB

MODEL		EWQ014K BW1N	EWQ025K BW1N	EWQ033K BW1N	EWQ049K BW1N	EWQ064K BW1N	EWQ098K BW1N
COOLING PERFORMANCE							
Capacity - Cooling	kW	13	24	30	47	61	94
Capacity control - Type		On/Off	On/Off	On/Off	On/Off	On/Off	On/Off
Capacity control - Minimum capacity	%	100	100	100	50	50	25
Unit power input - Cooling	kW	3.2	5.7	7.3	11.4	14.6	22.7
EER		4.21	4.18	4.16	4.13	4.18	4.17
ESEER		4.52	4.58	4.72	4.56	4.71	4.65
IPLV		5.13	5.27	5.41	5.36	5.47	5.36
CASING							
Colour *		IW	IW	IW	IW	IW	IW
Material *		GPSS	GPSS	GPSS	GPSS	GPSS	GPSS
DIMENSIONS							
Height	mm	600	600	600	600	600	1200
Width	mm	600	600	600	600	600	600
Length	mm	600	600	600	1200	1200	1200
WEIGHT							
Unit Weight	kg	120	170	175	310	340	620
Operating Weight	kg	123	175	182	320	353	640
HEAT EXCHANGER - EVAPORATOR							
Type *		Brazed plate	Brazed plate	Brazed plate	Brazed plate	Brazed plate	Brazed plate
Fluid		Water	Water	Water	Water	Water	Water
Fouling Factor	m ² °C /W	0	0	0	0	0	0
Water Volume	l	1	2	3	5	6	9
Water temperature in	°C	12	12	12	12	12	12
Water temperature out	°C	7	7	7	7	7	7
Water flow rate	l/s	.6	1.2	1.5	2.3	2.9	4.5
Water pressure drop	kPa	19.6	28.4	25.6	24.3	25.2	24.3
Insulation material *		CC	CC	CC	CC	CC	CC
HEAT EXCHANGER - CONDENSER							
Type *		Brazed plate	Brazed plate	Brazed plate	Brazed plate	Brazed plate	Brazed plate
Fluid		Water	Water	Water	Water	Water	Water
Fouling Factor	m ² °C /W	0	0	0	0	0	0
Water Volume	l	1.83	2.93	4.03	5.45	7.35	10.9
Water temperature in	°C	30	30	30	30	30	30
Water temperature out	°C	35	35	35	35	35	35
Water flow rate	l/s	.78	1.41	1.83	2.78	3.61	5.57
Water pressure drop	kPa	13.2	18.2	18.4	26.9	28.5	26.9
COMPRESSOR							
Type		Scroll	Scroll	Scroll	Scroll	Scroll	Scroll
Oil charge	l	1.50	3.00	3.00	6.00	6.00	12.0
Quantity	No.	1	1	1	2	2	4
SOUND LEVEL**							
Sound Power - Cooling	dB(A)	64	64	71	67	74	71
Sound Pressure level@1m distance - Cooling	dB(A)	50.3	50.3	57.3	52.7	59.7	55.71
REFRIGERANT CIRCUIT							
Refrigerant type		R410A	R410A	R410A	R410A	R410A	R410A
Refrigerant charge	kg	1.2	2	3.1	4.6	5.6	9.2
N. of circuits	No.	1	1	1	2	2	4
PIPING CONNECTIONS							
Evaporator water inlet/outlet	mm	G1"	G1"	G1"	G1" 1/2	G1" 1/2	2 x 2x G1" 1/2
Condenser water inlet/outlet	mm	G1"	G1"	G1"	G1" 1/2	G1" 1/2	2 x 2x G1" 1/2

All the performances (Cooling capacity, unit power input and EER) are based on the following conditions: evaporator 12.0/7.0°C; condenser 30.0/35.0°C, unit at full load operation; operating fluid: Water; fouling factor = 0. (*) IW: Ivory White; GPSS: Galvanized and Painted Steel Sheet; S&T: Single Pass Shell & Tube; CC: Closed Cell; (**) The values are according to ISO 3744 and are referred to: evaporator 12/7° C, condenser 30/35° C, full load operation.

EWQ~KB

MODEL		EWQ113K BW1N	EWQ128K BW1N	EWQ147K BW1N	EWQ162K BW1N	EWQ177K BW1N	EWQ192K BW1N
COOLING PERFORMANCE							
Capacity - Cooling	kW	108	122	142	155	169	183
Capacity control - Type		On/Off	On/Off	On/Off	On/Off	On/Off	On/Off
Capacity control - Minimum capacity	%	25	25	16	16	16	16
Unit power input - Cooling	kW	25.8	28.9	33.9	37.0	40.1	43.2
EER		4.19	4.22	4.18	4.20	4.22	4.24
ESEER		4.64	4.66	4.70	4.69	4.70	4.71
IPLV		5.42	5.47	5.36	5.40	5.44	5.47
CASING							
Colour *		IW	IW	IW	IW	IW	IW
Material *		GPSS	GPSS	GPSS	GPSS	GPSS	GPSS
DIMENSIONS							
Height	mm	1200	1200	1800	1800	1800	1800
Width	mm	600	600	600	600	600	600
Length	mm	1200	1200	1200	1200	1200	1200
WEIGHT							
Unit Weight	kg	650	680	930	960	990	1020
Operating Weight	kg	673	707	960	993	1026	1060
HEAT EXCHANGER - EVAPORATOR							
Type *		Brazed plate	Brazed plate	Brazed plate	Brazed plate	Brazed plate	Brazed plate
Fluid		Water	Water	Water	Water	Water	Water
Fouling Factor	m ² °C /W	0	0	0	0	0	0
Water Volume	l	10	12	14	15	16	18
Water temperature in	°C	12	12	12	12	12	12
Water temperature out	°C	7	7	7	7	7	7
Water flow rate	l/s	5.2	5.8	6.8	7.4	8.1	8.8
Water pressure drop	kPa	25.2	25.2	24.3	25.2	25.2	25.2
Insulation material *		CC	CC	CC	CC	CC	CC
HEAT EXCHANGER - CONDENSER							
Type *		Brazed plate	Brazed plate	Brazed plate	Brazed plate	Brazed plate	Brazed plate
Fluid		Water	Water	Water	Water	Water	Water
Fouling Factor	m ² °C /W	0	0	0	0	0	0
Water Volume	l	12.8	14.69	16.35	18.25	20.15	22.04
Water temperature in	°C	30	30	30	30	30	30
Water temperature out	°C	35	35	35	35	35	35
Water flow rate	l/s	6.39	7.21	8.35	9.17	10.0	10.8
Water pressure drop	kPa	28.5	28.5	26.9	28.5	28.5	28.5
COMPRESSOR							
Type		Scroll	Scroll	Scroll	Scroll	Scroll	Scroll
Oil charge	l	12.0	12.0	18.0	18.0	18.0	18.0
Quantity	No.	4	4	6	6	6	6
SOUND LEVEL**							
Sound Power - Cooling	dB(A)	75	77	73	77	78	79
Sound Pressure level@1m distance - Cooling	dB(A)	59.71	61.71	56.9	60.9	61.9	62.9
REFRIGERANT CIRCUIT							
Refrigerant type		R410A	R410A	R410A	R410A	R410A	R410A
Refrigerant charge	kg	10.2	11.2	13.8	14.8	15.8	16.8
N. of circuits	No.	4	4	6	6	6	6
PIPING CONNECTIONS							
Evaporator water inlet/outlet	mm	2 x 2x G1" 1/2	2 x 2x G1" 1/2	3 x 3 x G1" 1/2	3 x 3 x G1" 1/2	3 x 3 x G1" 1/2	3 x 3 x G1" 1/2
Condenser water inlet/outlet	mm	2 x 2x G1" 1/2	2 x 2x G1" 1/2	3 x 3 x G1" 1/2	3 x 3 x G1" 1/2	3 x 3 x G1" 1/2	3 x 3 x G1" 1/2

All the performances (Cooling capacity, unit power input and EER) are based on the following conditions: evaporator 12.0/7.0°C; condenser 30.0/35.0°C, unit at full load operation; operating fluid: Water; fouling factor = 0. (*) IW: Ivory White; GPSS: Galvanized and Painted Steel Sheet; S&T: Single Pass Shell & Tube; CC: Closed Cell; (**) The values are according to ISO 3744 and are referred to: evaporator 12/7° C, condenser 30/35° C, full load operation.

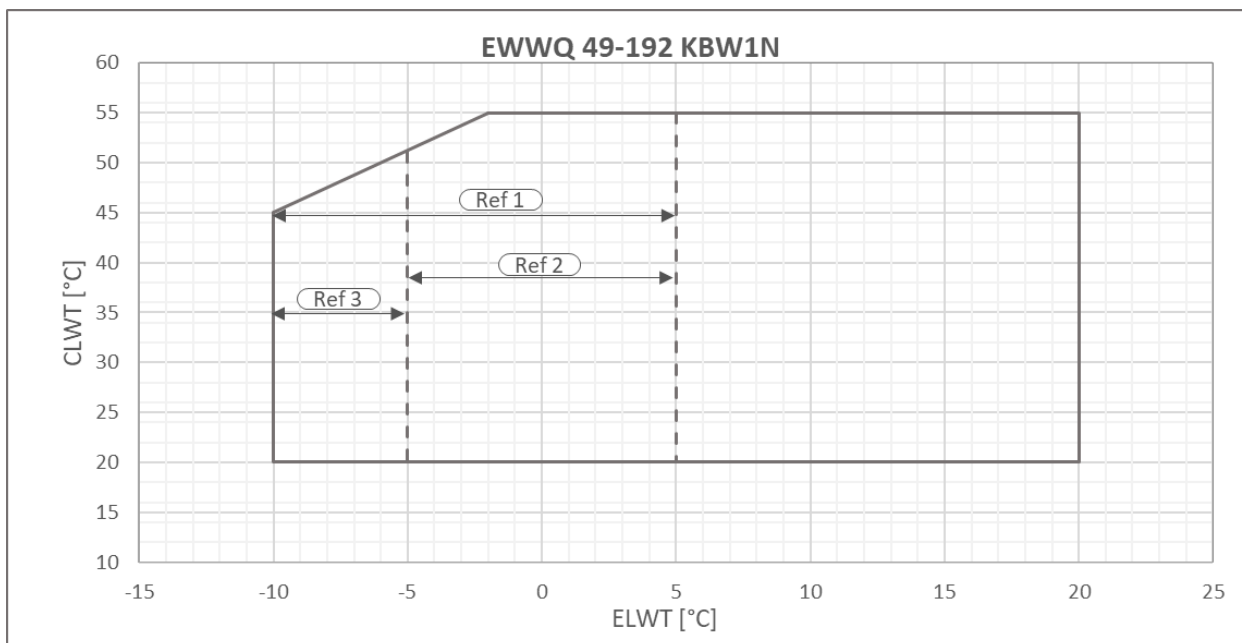
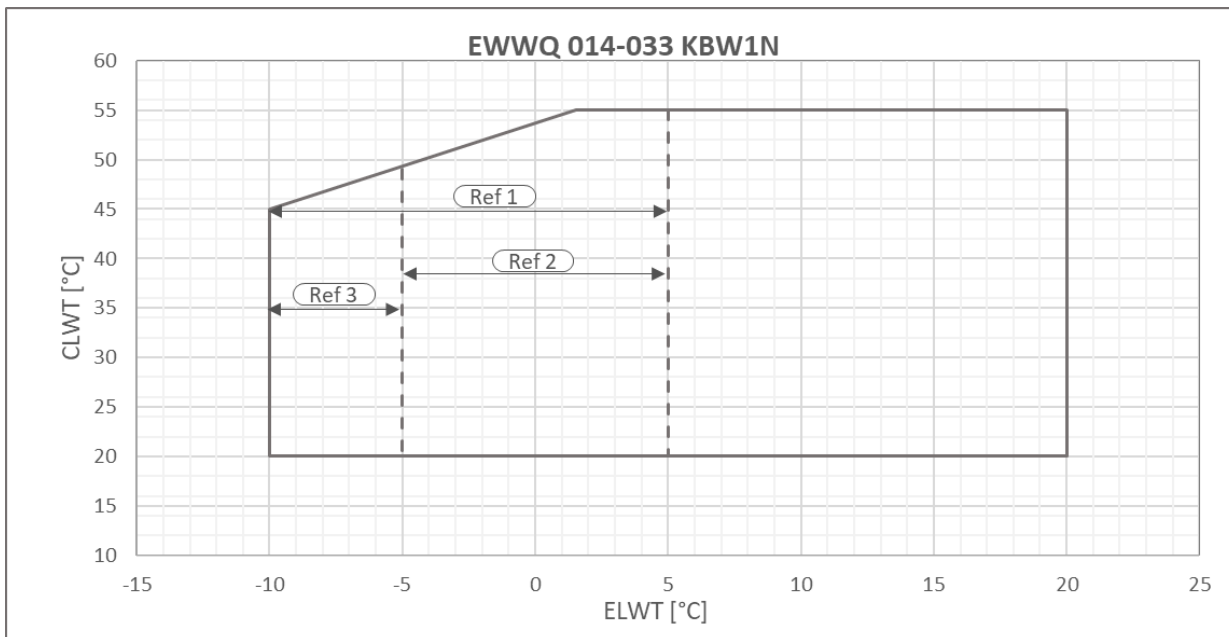
EWQ~KB

MODEL		EWQ014K BW1N	EWQ025K BW1N	EWQ033K BW1N	EWQ049K BW1N	EWQ064K BW1N	EWQ098K BW1N
POWER SUPPLY							
Phases	No.	3	3	3	3	3	3
Frequency	Hz	50	50	50	50	50	50
Voltage	V	400	400	400	400	400	400
Voltage tolerance Minimum	%	-10%	-10%	-10%	-10%	-10%	-10%
Voltage tolerance Maximum	%	10%	10%	10%	10%	10%	10%
UNIT							
Maximum inrush current	A	61.8	101.9	137.9	117.55	158.63	148.86
Nominal running current cooling	A	5.98	9.28	12.98	18.69	26.06	37.37
Maximum running current	A	9.47	15.65	20.73	31.31	41.46	62.61
Maximum current for wires sizing	A	10.41	17.22	22.8	34.44	45.6	68.87
COMPRESSORS							
Phases	No.	3	3	3	3	3	3
Voltage	V	400	400	400	400	400	400
Voltage tolerance Minimum	%	-10%	-10%	-10%	-10%	-10%	-10%
Voltage tolerance Maximum	%	10%	10%	10%	10%	10%	10%
Maximum running current	A	0	0	0	0	0	0
Starting method		DOL	DOL	DOL	DOL	DOL	DOL

MODEL		EWQ113K BW1N	EWQ128K BW1N	EWQ147K BW1N	EWQ162K BW1N	EWQ177K BW1N	EWQ192K BW1N
POWER SUPPLY							
Phases	No.	3	3	3	3	3	3
Frequency	Hz	50	50	50	50	50	50
Voltage	V	400	400	400	400	400	400
Voltage tolerance Minimum	%	-10%	-10%	-10%	-10%	-10%	-10%
Voltage tolerance Maximum	%	10%	10%	10%	10%	10%	10%
UNIT							
Maximum inrush current	A	189.93	200.09	180.16	221.24	231.39	241.54
Nominal running current cooling	A	44.75	52.12	56.06	63.44	70.81	78.18
Maximum running current	A	72.76	82.91	93.92	104.07	114.22	124.37
Maximum current for wires sizing	A	80.04	91.21	103.31	114.47	125.64	136.81
COMPRESSORS							
Phases	No.	3	3	3	3	3	3
Voltage	V	400	400	400	400	400	400
Voltage tolerance Minimum	%	-10%	-10%	-10%	-10%	-10%	-10%
Voltage tolerance Maximum	%	10%	10%	10%	10%	10%	10%
Maximum running current	A	0	0	0	0	0	0
Starting method		DOL	DOL	DOL	DOL	DOL	DOL

Allowed voltage tolerance $\pm 10\%$. Voltage unbalance between phases must be within $\pm 3\%$. In case of inverter driven units, no inrush current at start up is experienced. Nominal running current in cooling is referred to the following conditions: evaporator 12/7°C; condenser 30/35°C. Maximum running current is based on max compressor absorbed current in its envelope. Maximum current for wires sizing is based on minimum allowed voltage. Maximum current for wires sizing: compressors full load ampere x 1,1. The data are referred to the standard unit without options. All data are subject to change without notice. Please refer to unit nameplate data.

Operating Limits



Legend :

ELWT Evaporator leaving water temperature

CLWT Condenser leaving water temperature

Ref 1 Glycol required for operation below 5°C ELWT

Ref 2 Operation between 5°C and -5°C ELWT requires option ZH

Ref 3 Operation between -5°C and -10°C ELWT requires option ZL

Water flow and quality

Water quality limits

Items to be controlled		Evaporator water		Condenser water		Tendency if out of criteria
		Circulating water	Supply water	Circulating water	Supply water	
		[<20°C]		[20°C~60°C]		
pH at 25°C		6.8~8.0	6.8~8.0	7.0~8.0	7.0~8.0	A + B
Electrical conductivity	[mS/m] at 25°C	<40	<30	<30	<30	A + B
Chloride ion	[mg Cl-/l]	<50	<50	<50	<50	A
Sulfate ion	[mg SO42-/l]	<50	<50	<50	<50	A
M-alkalinity (pH 4.8)	[mg CaCO3/l]	<50	<50	<50	<50	B
Total hardness	[mg CaCO3/l]	<70	<70	<70	<70	B
Calcium hardness	[mg CaCO3/l]	<50	<50	<50	<50	B
Silica ion	[mg SiO2/l]	<30	<30	<30	<30	B
Items to be referred to						
Iron	[mg Fe/l]	<1.0	<0.3	<1.0	<0.3	A + B
Copper	[mg Cu/l]	<1.0	<0.1	<1.0	<0.1	A
Sulfide ion	[mg S2-/l]		not detectable			A
Ammonium ion	[mg NH4+/l]	<1.0	<0.1	<0.3	<0.1	A
Remaining chloride	[mg Cl/l]	<0.3	<0.3	<0.25	<0.3	A
Free carbide	[mg CO2/l]	<4.0	<4.0	<0.4	<4.0	A
Stability index		—	—	—	—	A + B

A = corrosion B = scale

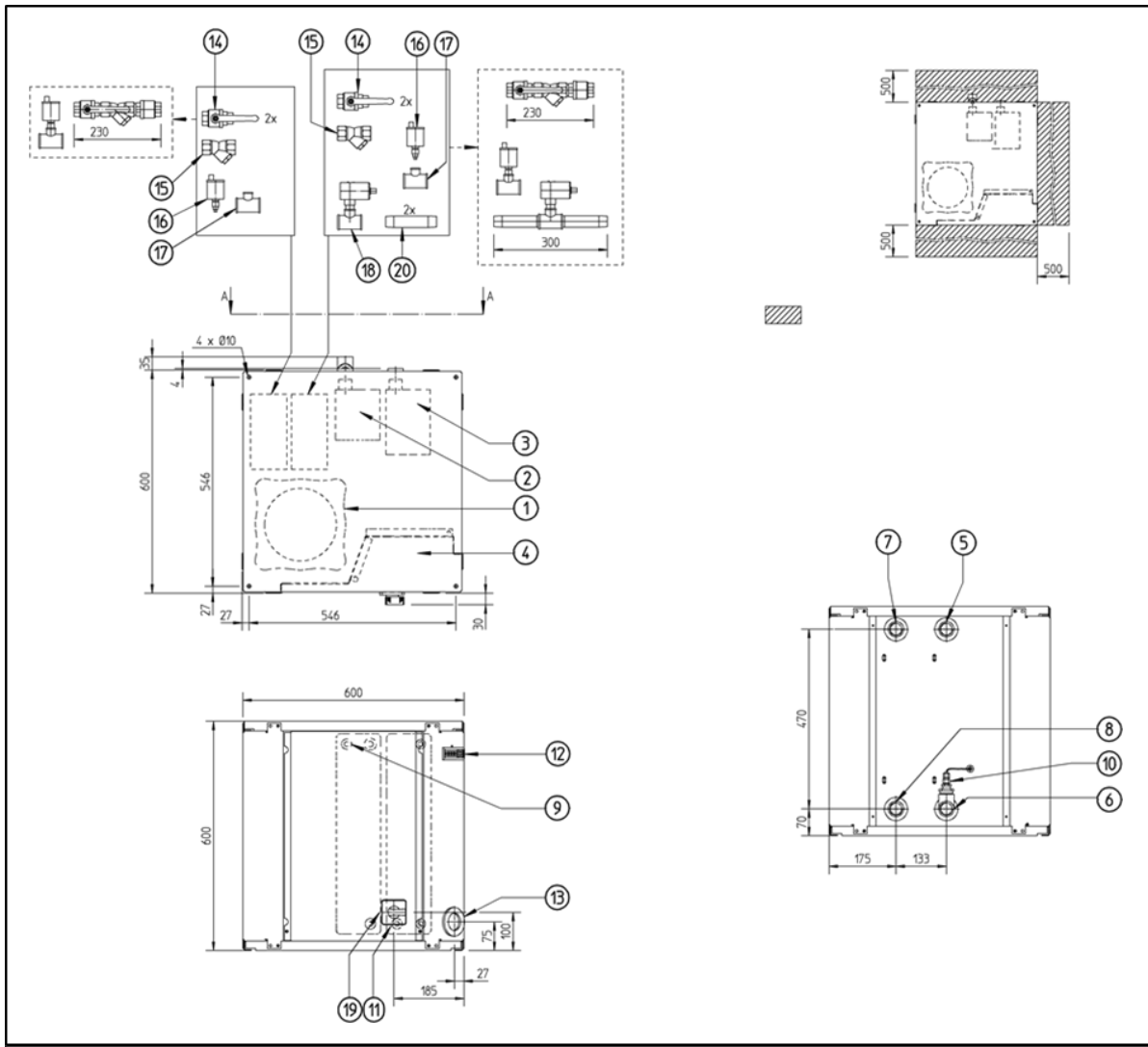
Water flow and plant water content limits

To assure proper operation of the unit a minimum water volume is required in the system and the water flow must be within the operation range as specified in the table below.

	Evaporator			Condenser	
	Minimum water volume	Minimum water flow	Maximum water flow	Minimum water flow	Maximum water flow
EWQ014	62 l	0,5 l/s	1,3 l/s	0,4 l/s	1,6 l/s
EWQ025	134 l	0,9 l/s	2,1 l/s	0,7 l/s	2,6 l/s
EWQ033	155 l	1,3 l/s	3,1 l/s	1 l/s	4 l/s
EWQ049	205 l	1,7 l/s	4,1 l/s	1,7 l/s	4,1 l/s
EWQ064	311 l	2,5 l/s	6,2 l/s	2,5 l/s	6,2 l/s
EWQ098	410 l	3,4 l/s	8,2 l/s	3,4 l/s	8,2 l/s
EWQ113	516 l	4,2 l/s	10,3 l/s	4,2 l/s	10,3 l/s
EWQ128	622 l	5,1 l/s	12,4 l/s	5 l/s	12,4 l/s
EWQ147	615 l	5,1 l/s	12,4 l/s	5,1 l/s	12,3 l/s
EWQ162	721 l	5,9 l/s	14,5 l/s	5,9 l/s	14,4 l/s
EWQ177	827 l	6,8 l/s	16,6 l/s	6,7 l/s	16,5 l/s
EWQ192	933 l	7,6 l/s	18,7 l/s	7,5 l/s	18,6 l/s

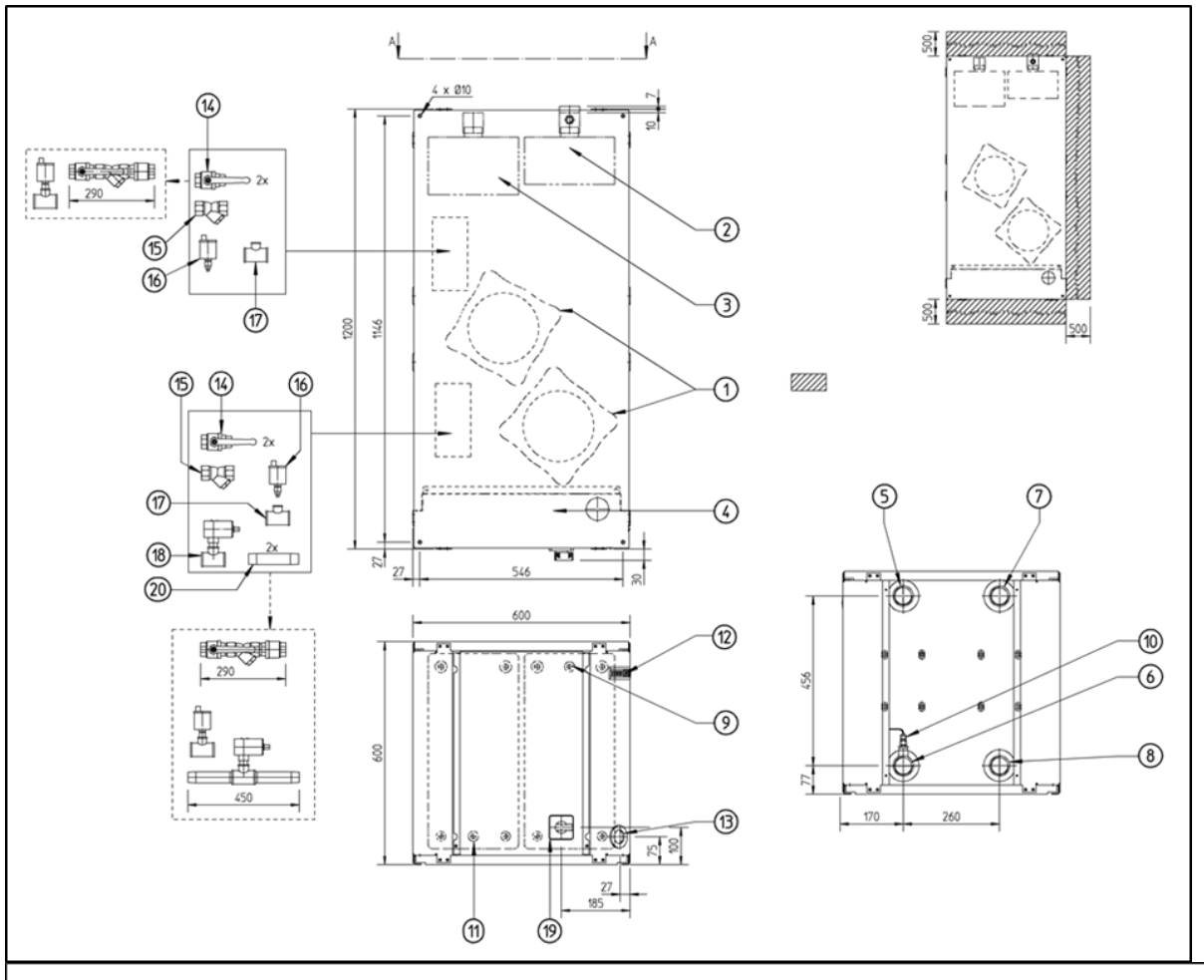
Dimensional drawings

EWVQ 014-033 KBW1N



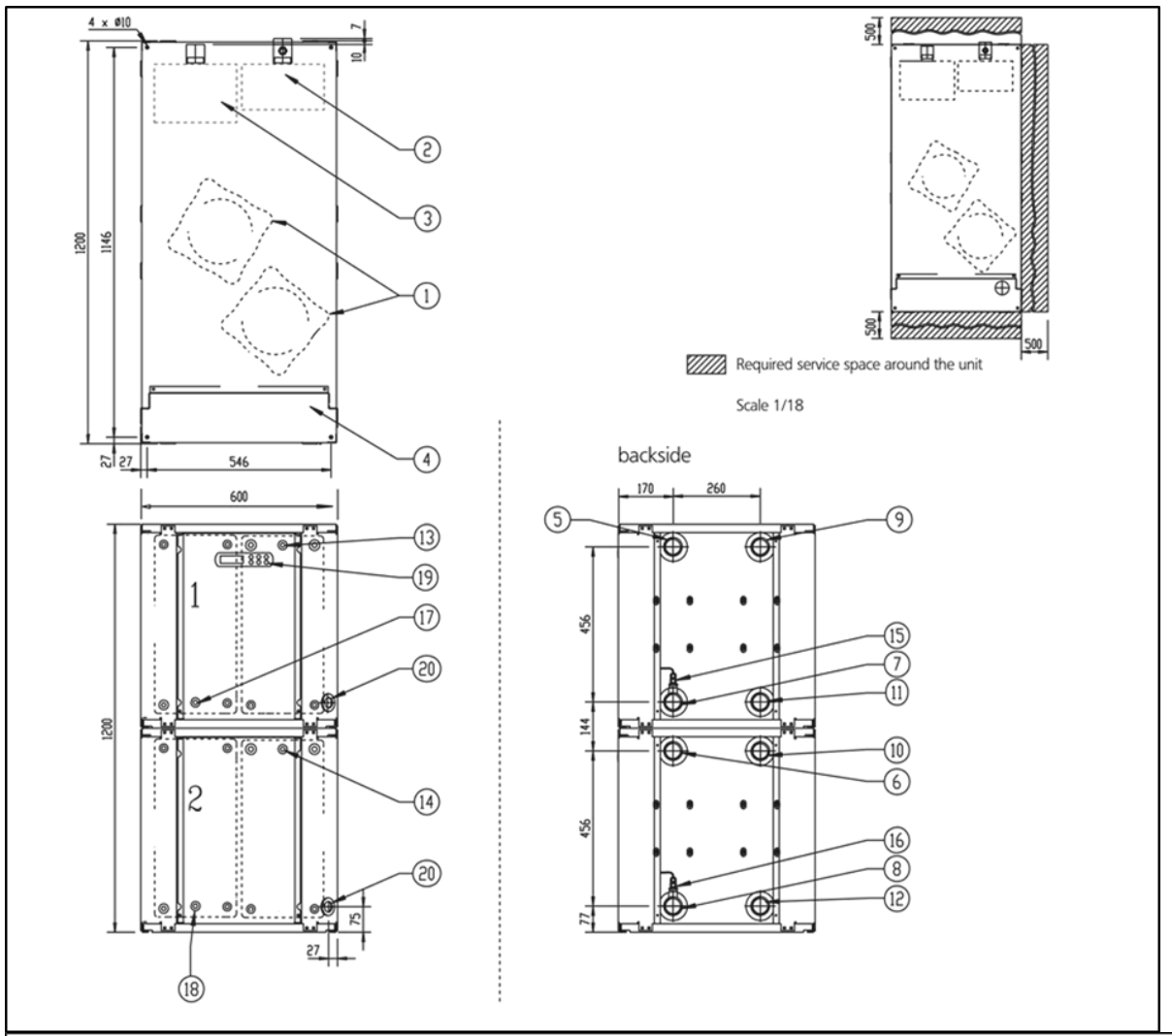
- | | |
|---|---|
| 1. Compressor | 11. Condenser entering water temperature sensor |
| 2. Evaporator | 12. Digital display controller |
| 3. Condenser | 13. Power supply intake (J 48) |
| 4. Switchbox | 14. Ballvalve |
| 5. Chilled water in | 15. Water filter |
| 6. Chilled water out | 16. Air purge |
| 7. Condenser water out | 17. T-joint for air purge |
| 8. Condenser water in | 18. Flow switch |
| 9. Evaporator entering water temperature sensor | 19. Main switch |
| 10. Freeze up sensor | 20. Flow switch pipe |

EWWQ 049-064 KBW1N



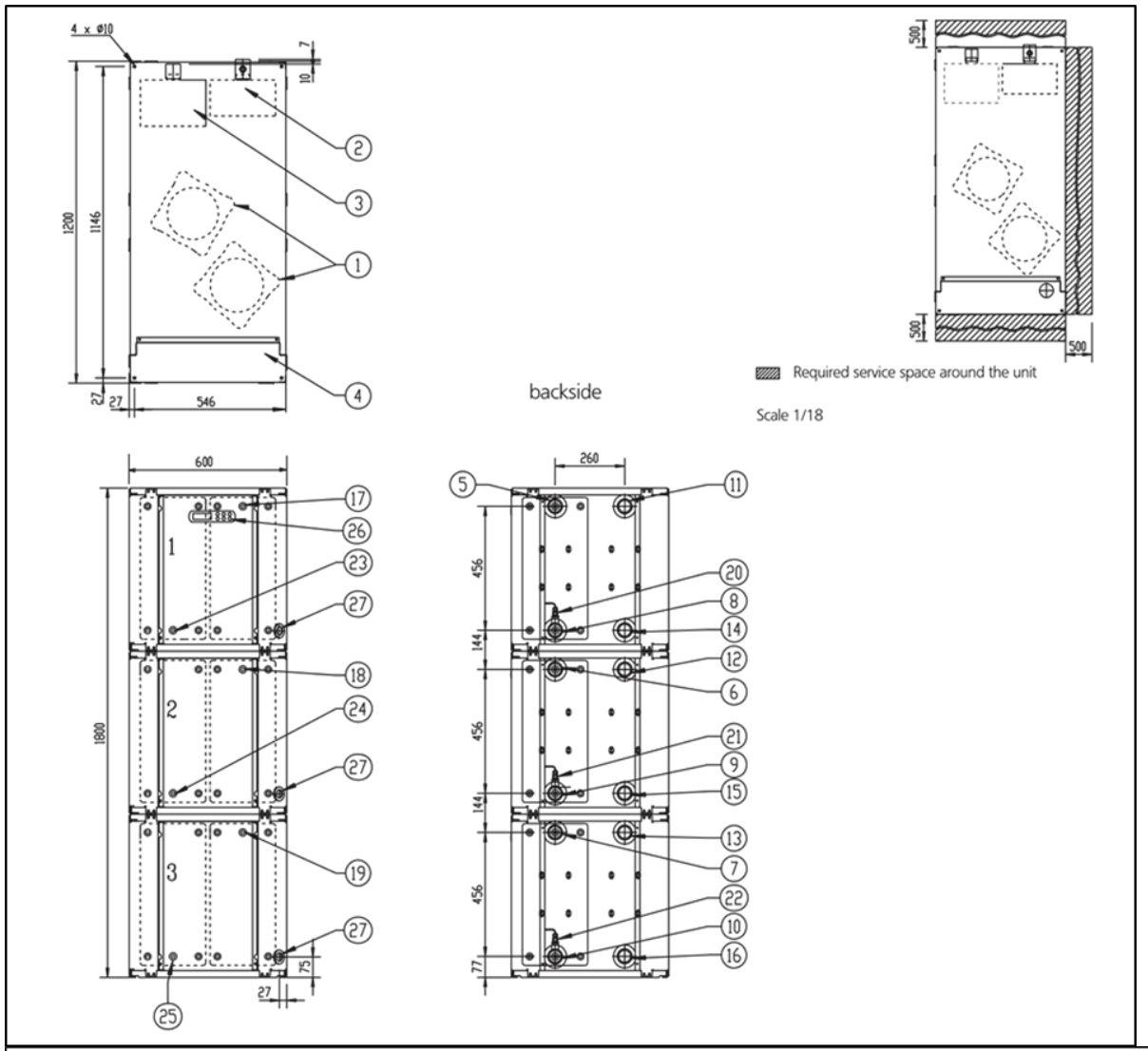
- | | |
|---|---|
| 1. Compressor | 11. Condenser entering water temperature sensor |
| 2. Evaporator | 12. Digital display controller |
| 3. Condenser | 13. Power supply intake (J 48) |
| 4. Switchbox | 14. Ballvalve |
| 5. Chilled water in | 15. Water filter |
| 6. Chilled water out | 16. Air purge |
| 7. Condenser water out | 17. T-joint for air purge |
| 8. Condenser water in | 18. Flow switch |
| 9. Evaporator entering water temperature sensor | 19. Main switch |
| 10. Freeze up sensor | 20. Flow switch pipe |

EWVQ 098-128 KBW1N



- | | |
|---------------------------|--|
| 1. Compressor | 11. Condenser water in 1 |
| 2. Evaporator | 12. Condenser water in 2 |
| 3. Condenser | 13. Evaporator entering water temp. sensor 1 |
| 4. Switchbox | 14. Evaporator entering water temp. sensor 2 |
| 5. Chilled water in 1 | 15. Freeze up sensor 1 |
| 6. Chilled water in 2 | 16. Freeze up sensor 2 |
| 7. Chilled water out 1 | 17. Condenser entering water temp. sensor 1 |
| 8. Chilled water out 2 | 18. Condenser entering water temp. sensor 2 |
| 9. Condenser water out 1 | 19. Digital display controller |
| 10. Condenser water out 2 | 20. Power supply intake (J 48) |

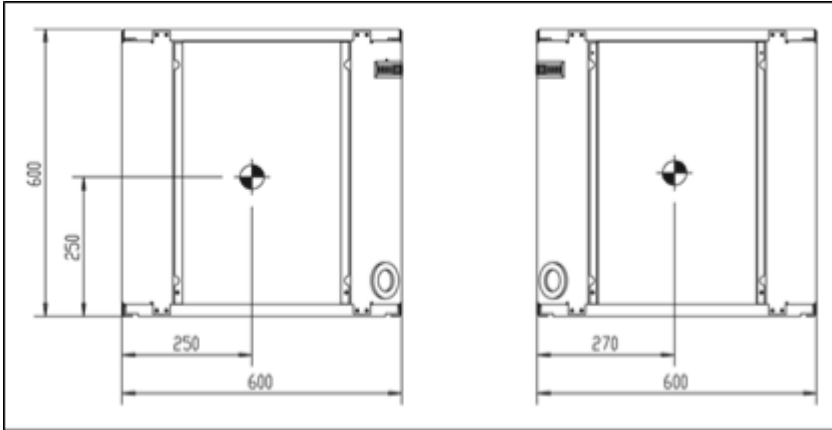
EWVQ 147-192 KBW1N



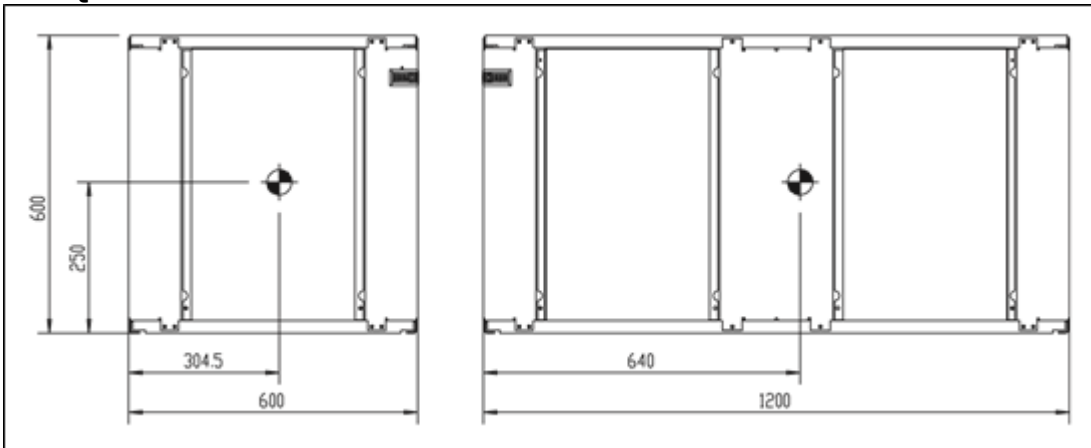
- | | |
|---------------------------|--|
| 1. Compresor | 15. Condenser water in 2 |
| 2. Evaporator | 16. Condenser water in 3 |
| 3. Condenser | 17. Evaporator entering water temp. sensor 1 |
| 4. Switchbox | 18. Evaporator entering water temp. sensor 2 |
| 5. Chilled water in 1 | 19. Evaporator entering water temp. sensor 3 |
| 6. Chilled water in 2 | 20. Freeze up sensor 1 |
| 7. Chilled water in 3 | 21. Freeze up sensor 2 |
| 8. Chilled water out 1 | 22. Freeze up sensor 3 |
| 9. Chilled water out 2 | 23. Condensor entering water temp. sensor 1 |
| 10. Chilled water out 3 | 24. Condensor entering water temp. sensor 2 |
| 11. Condenser water out 1 | 25. Condensor entering water temp. sensor 3 |
| 12. Condenser water out 2 | 26. Digital display controller |
| 13. Condenser water out 3 | 27. Power supply intake (J 48) |
| 14. Condenser water in 1 | |

Center of gravity

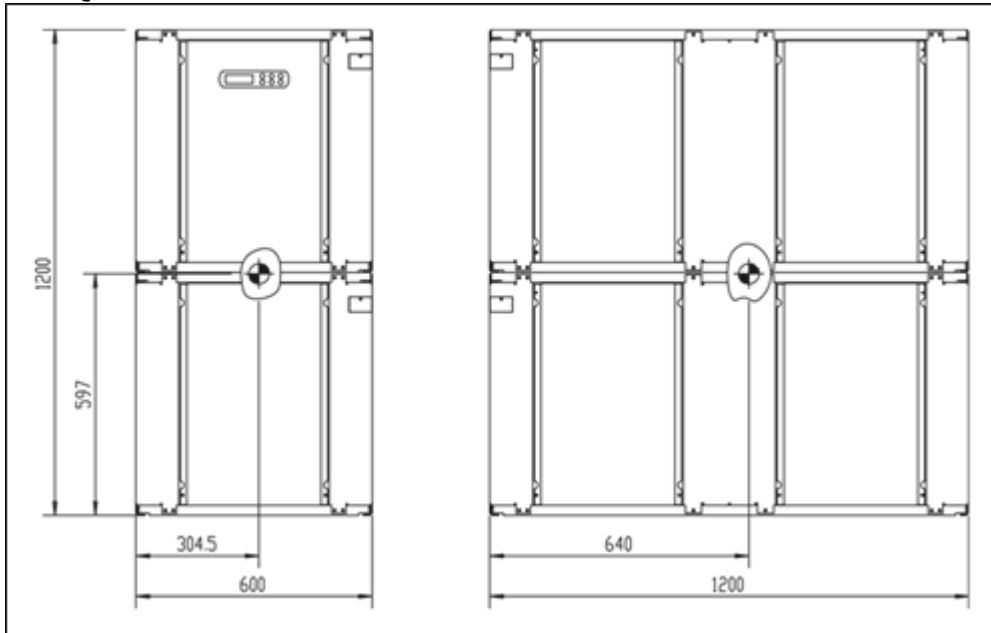
EWQ 014-033 KBW1N



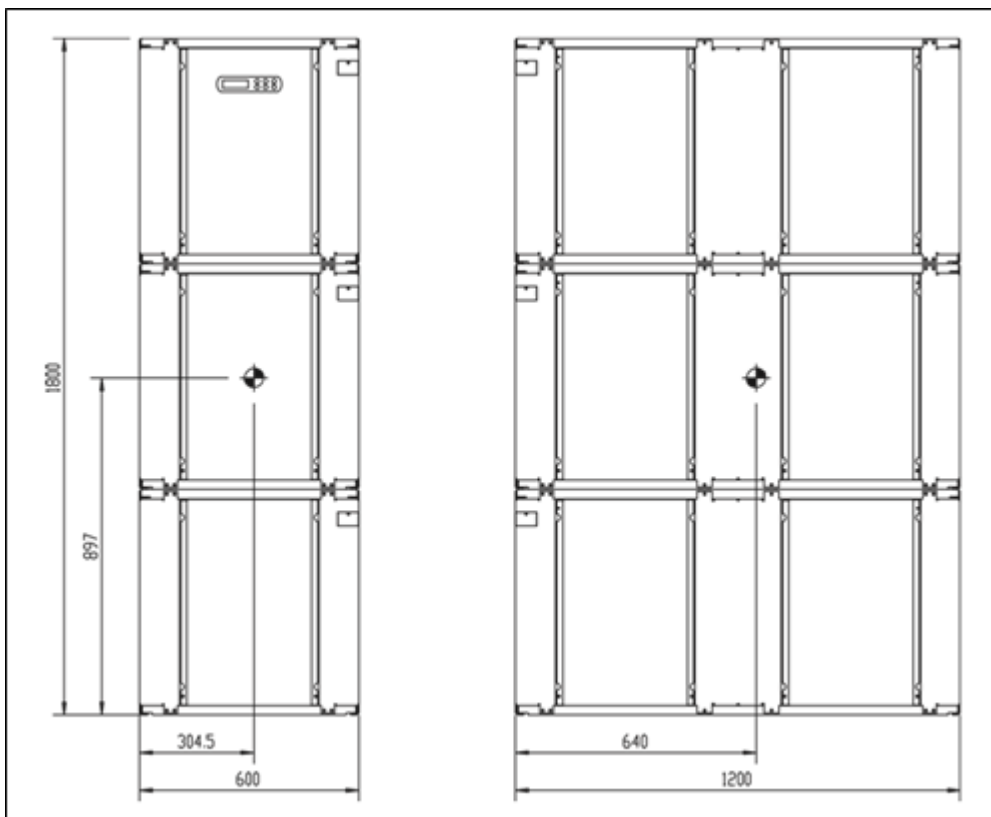
EWQ 049-064 KBW1N



EWQ 098-128 KBW1N

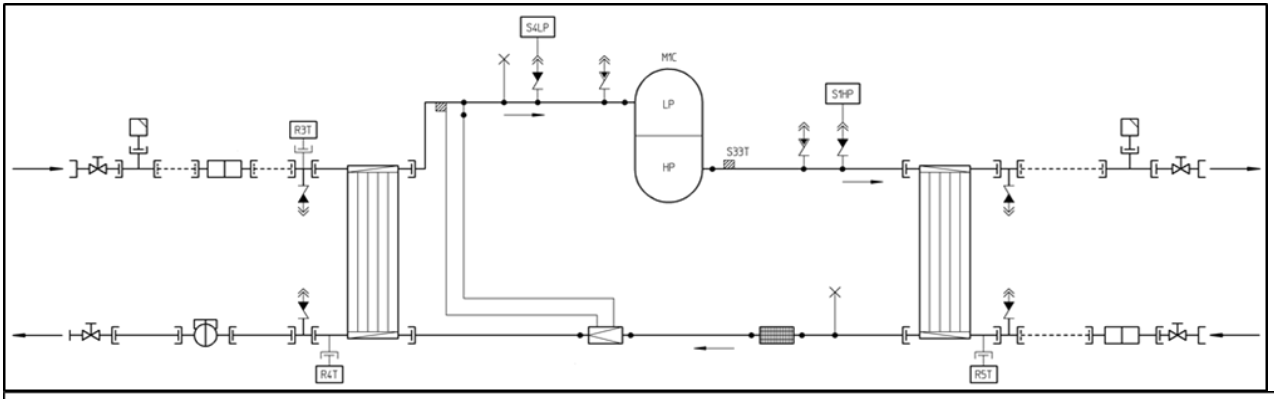


EWQ 147-192 KBW1N



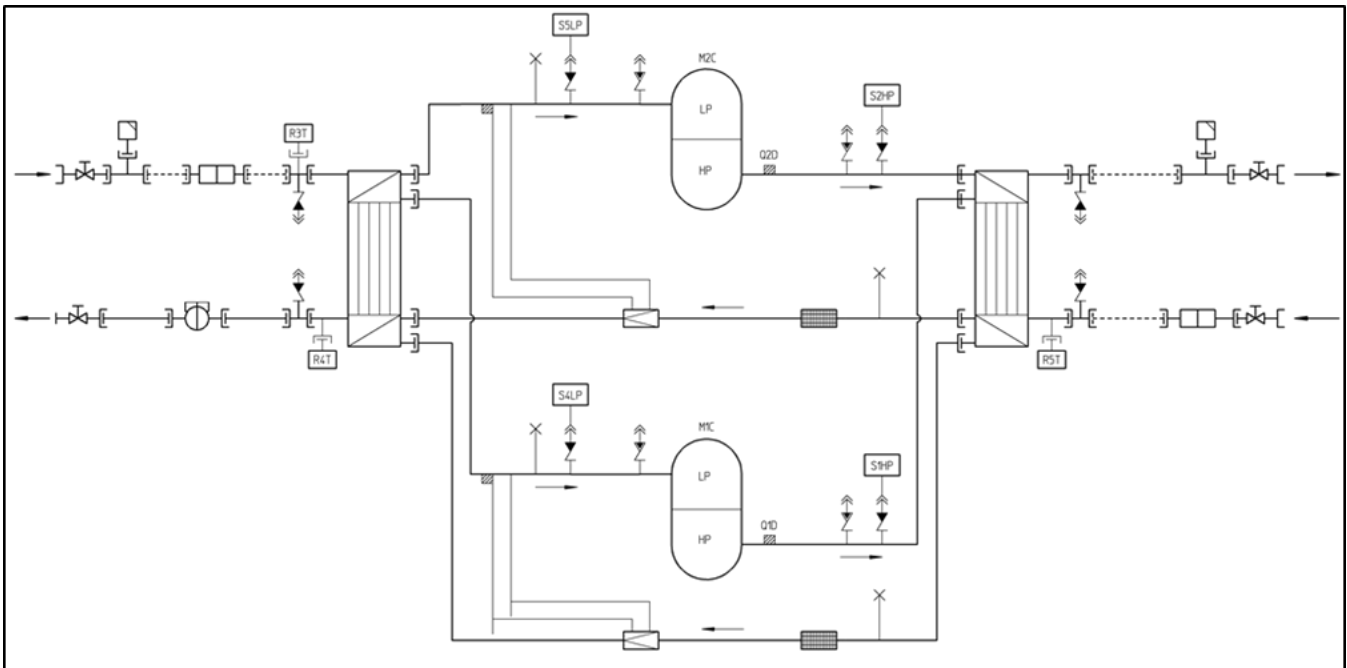
Piping diagram

EWWQ 014-033 KBW1N



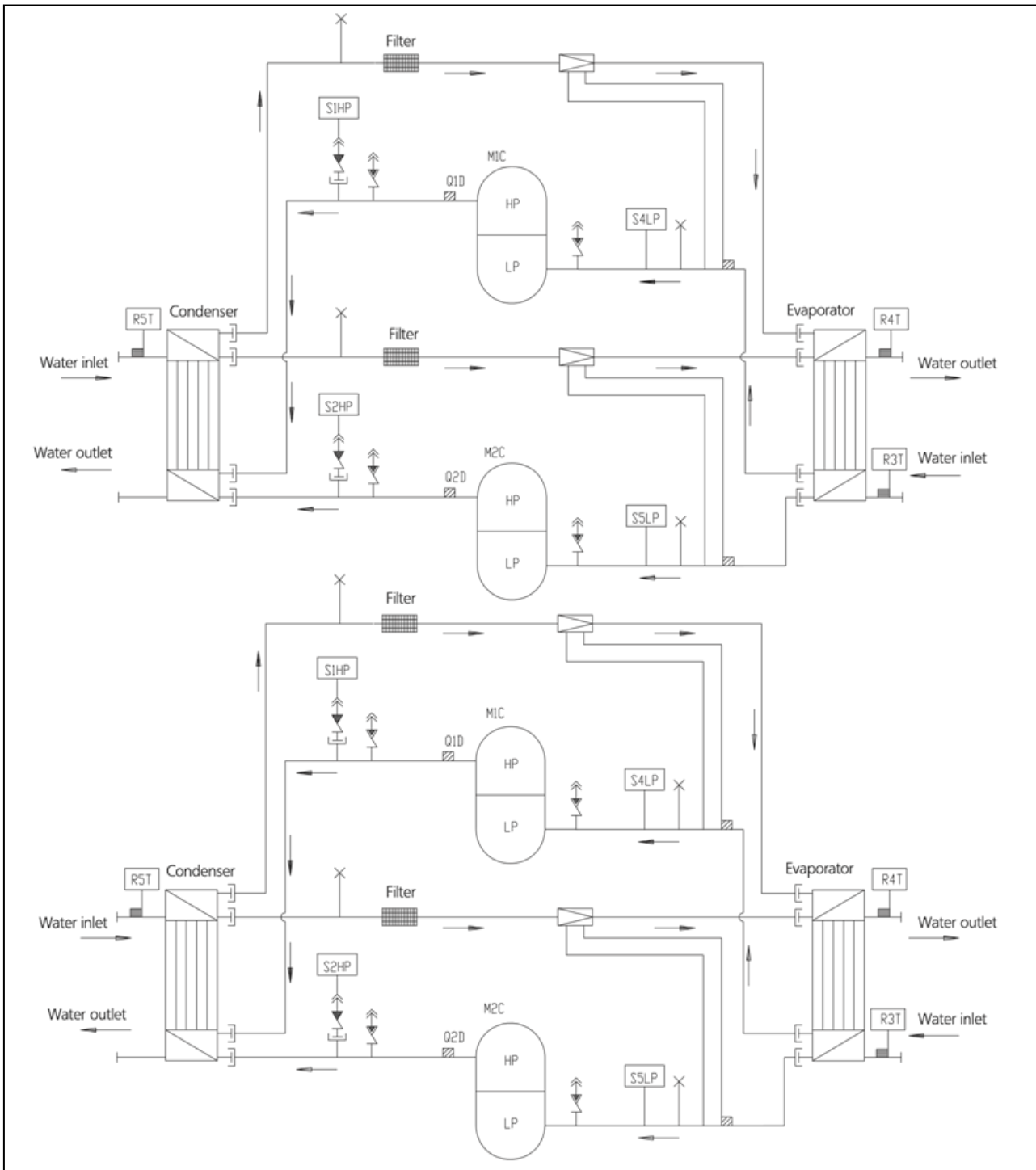
- M1C Compressor motor 1
- R3T Outlet water evap. temp. sensor
- R5T Inlet water cond. temp. sensor
- S1HP High pressure switch
- S4LP Low pressure switch
- R4T Freeze-up protection
- S33T Discharge temperature controller

EWWQ 049-064 KBW1N



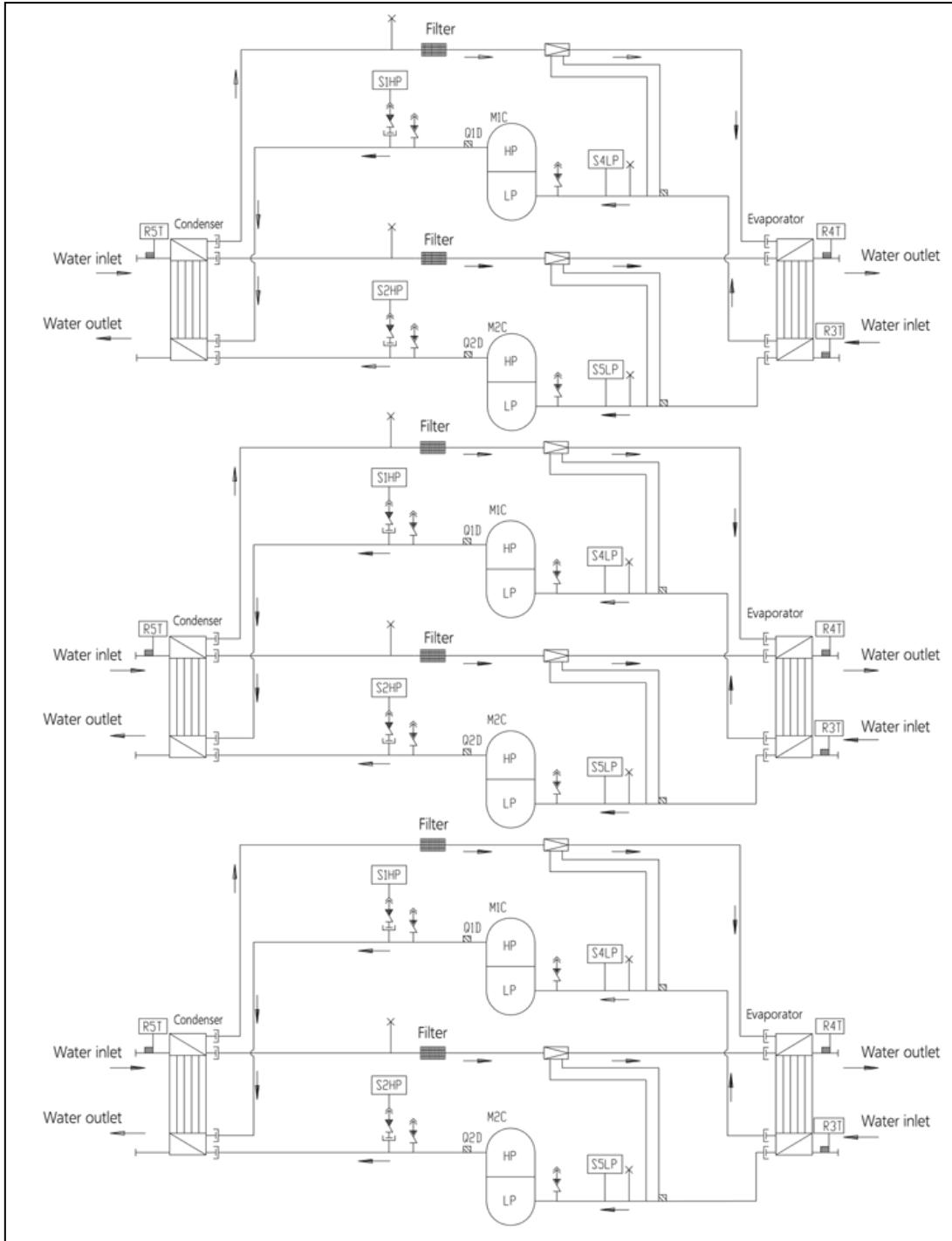
- M1-2C Compressor motor
- R4T Freeze-up protection
- R5T Inlet water cond. temp. sensor
- S1HP High pressure switch
- S2HP High pressure switch
- S4LP Low pressure switch
- S5LP Low pressure switch
- R3T Inlet water evap. temp. sensor
- Q1D Discharge temperature controller
- Q2D Discharge temperature controller

EWVQ 098-128 KBW1N



- M1C-M2C Compressor motor
- R4T Freeze-up protection
- R5T Inlet water cond. temp. sensor
- S1HP High pressure switch
- S2HP High pressure switch
- S4LP Low pressure switch
- S5LP Low pressure switch
- R3T Inlet water evap. temp. sensor
- Q1D Discharge temperature controller
- Q2D Discharge temperature controller

EWVQ 147-192 KBW1N



- M1C-M2C Compressor motor
- R4T Freeze-up protection
- R5T Inlet water cond. temp. sensor
- S1HP High pressure switch
- S2HP High pressure switch
- S4LP Low pressure switch
- S5LP Low pressure switch
- R3T Inlet water evap. temp. sensor
- Q1D Discharge temperature controller
- Q2D Discharge temperature controller

Technical specifications

General The unit will be designed and manufactured in accordance with the following European directives:

DIRECTIVE 2014/35/EU OF THE EUROPEAN PARLIAMENT AND OF THE COUNCIL of 26 February 2014 on the harmonisation of the laws of the Member States relating to the making available on the market of electrical equipment designed for use within certain voltage limits.

DIRECTIVE 2014/30/EU OF THE EUROPEAN PARLIAMENT AND OF THE COUNCIL of 26 February 2014 on the harmonisation of the laws of the Member States relating to electromagnetic compatibility.

DIRECTIVE 2006/42/EC OF THE EUROPEAN PARLIAMENT AND OF THE COUNCIL of 17 May 2006 on machinery, and amending Directive 95/16/EC.

DIRECTIVE 2014/68/EU OF THE EUROPEAN PARLIAMENT AND OF THE COUNCIL of 15 May 2014 on the harmonisation of the laws of the Member States relating to the making available on the market of pressure equipment.

DIRECTIVE 2009/125/EC OF THE EUROPEAN PARLIAMENT AND OF THE COUNCIL of 21 October 2009 establishing a framework for the setting of ecodesign requirements for energy-related products.

And to the following harmonized standards/specifications (used in part or whole as described in the technical construction file):

EN 60204-1:2006 A1:2009 Safety of machinery

EN 60335-2-40 Household and similar electrical appliances - Safety: Particular requirements for electrical heat pumps, air conditioners and dehumidifier

EN 378-1:2016, EN 378-2:2016, EN 378-4:2016 Safety and environmental requirements; design, construction, testing, marking and documentation

The chiller will be delivered to the job site completely assembled and charged with refrigerant and oil. The installation of the chiller must comply with the manufacturer's instructions for rigging and handling equipment.

The unit will be able to start up and operate (as standard) at full load with:

- evaporator leaving fluid temperature between °C and °C
- condenser leaving fluid temperature between °C and °C

Refrigerant Only R-410A can be used.

Performance The unit shall supply the following performances:

Number : unit(s)

Cooling capacity for single unit : kW

Power input for single chiller in cooling mode : kW

Evaporator heat exchanger entering water temperature in cooling mode : °C

Evaporator heat exchanger leaving water temperature in cooling mode : °C

Evaporator heat exchanger water flow : l/s

Condenser heat exchanger entering water temperature in cooling mode : °C

Condenser heat exchanger leaving water temperature in cooling mode : °C

Condenser heat exchanger water flow : l/s

Operating voltage range should be 400V ±10%, 3N ph, 50Hz.

Unit description The unit shall include as standard: one or two independent refrigerant circuit per module, each of them equipped with an hermetic type rotary scroll compressors, thermal expansion device, refrigerant direct expansion plate to plate heat exchangers, R-410A refrigerant, motor starting components, control system and all components necessary for a safe and stable unit operation. The chiller will be factory assembled on a robust base frame made of galvanized steel, protected by epoxy paint.

Sound level and vibrations Sound pressure level at 1 meter distance in free field, hemispheric conditions, shall not exceeddB(A). The sound pressure levels must be rated in accordance to ISO 3744

Dimensions Unit dimensions shall not exceed following indications:

Unit length mm

Unit width mm

Unit height mm

Compressors The units shall be equipped with:

High performance hermetic scroll compressors optimized to work with R-410A, with reduced vibration and sound emissions.

• High efficiency values shall be guaranteed by:

- High volumetric efficiency in the whole range of application, through the continuous contact between the fixed and the orbiting scroll deleting the dead space and the re-expansion of the refrigerant gas;
- Low pressure drops due to the absence of inlet and discharge valves and to the uniform compression cycle;
- Reduction of the heat exchange between the gas during suction and discharge due to the separation of gas flows;

- The reduced noise shall be obtained by:
 - The absence of the inlet and discharge valves
 - The uniform compression cycles
 - The absence of pistons which ensures reduced vibration and pulsation of the refrigerant
- The engine shall be cooled by the suction refrigerant fluid.
- Shall be present a thermal protection for the three phases complete with sensors on the stator windings to avoid overheating caused by lack of phase, insufficient cooling, mechanical locks, power supply out of tolerance;
- The compressors shall be one on each independent refrigerating circuit.
- The compressors shall be fitted on rubber antivibration mounts.
- The compressors shall be provided complete with oil charge.

Evaporator (PHE) The units shall be equipped with a direct expansion plate to plate type evaporator. The evaporator will be made of stainless steel brazed plates closed cell with thermal insulation material.

- The evaporator will have 1 or 2 refrigerant circuit.
- The evaporator will be manufactured in accordance to PED approval.
- Flow switch must be installed on plant.
- Water filter must be installed on plant.

Condenser (PHE) The units shall be equipped with a plate to plate type condenser.

The condenser will be made of stainless steel brazed

- The condenser will have 1 or 2 refrigerant circuit.
- The condenser will be manufactured in accordance to PED approval.
- Water filter must be installed on plant.

Refrigerant circuit The unit shall have one or two refrigerant circuits per module according to the capacity.

- The circuits shall include as standard the following safety devices: High and low pressure switch, hot gas temperature monitoring, overload relay.

Electrical control panel Power and control Power and control sections shall be located into the main electrical panel. The power section shall include Main switch, auxiliary and control cut-outs, transformers, control fuses, relay and auxiliary relay, sensors, -Chiller digital controller. The main panel doors shall be interlocked to the main switch to guarantee safe operations when the doors are open.

Controller Units controllers shall fit a digital controller which allows the user to configure, operate and service the unit in a user-friendly manner. The -Chiller digital controller shall consist of a numerical display, 4 control keys and 4 LEDs.

The following functions shall be supported:

- Allocation of the setpoint and the desired switching hysteresis
- Cold water return controller (cooling mode)
- Hot water return controller (heating mode)
- Allocation of pump lead times / overrun times
- Allocation of service intervals
- Displaying the current operating parameters such as flow and return temperatures
- Recording operating hours (compressor / pump)
- Fault code query
- Password protection

High level communication As an option, the chiller can be fitted with an interface for integrating it into a Modbus Building Management System (BMS)

The present document is drawn up by way of information only and does not constitute an offer binding upon Daikin Applied Europe. Daikin Applied Europe has compiled the content of this document to the best of its knowledge. No express or implied warranty is given for the completeness, accuracy, reliability of fitness to particular purpose of its content and the products and services presented therein. Specifications are subject to change without prior notices. Daikin Applied Europe explicitly rejects any liability for any direct or indirect damage, in the broadest sense, arising from or related to the use and/or interpretation of this document.

Daikin Applied Europe S.p.A.

Società unipersonale soggetta ad attività di direzione e coordinamento di Daikin Industries Ltd

Sede Legale: Via Piani di S. Maria, 72
00040 Ariccia (Roma), Italia

T +39 06 93 73 11
F +39 06 93 74 0 14

Sede Amm.va: S.S. Nettunense Km 12+300
00040 Cecchina (Roma), Italia

